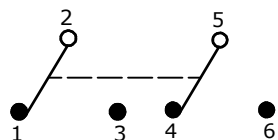
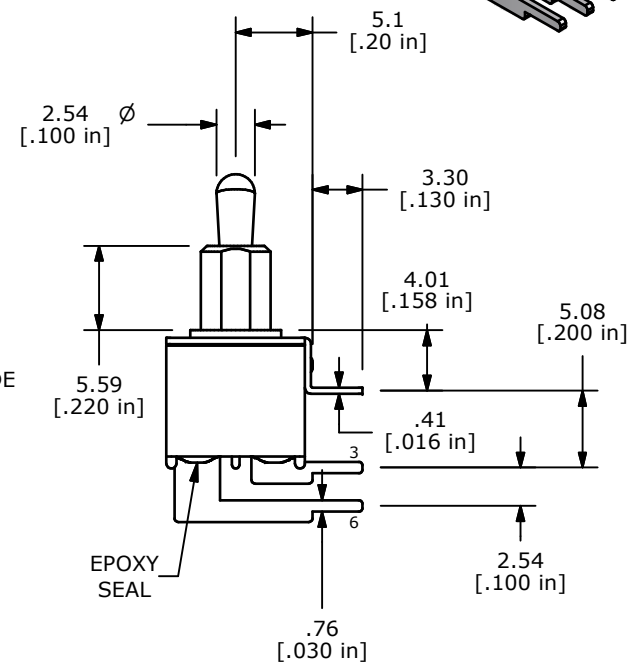
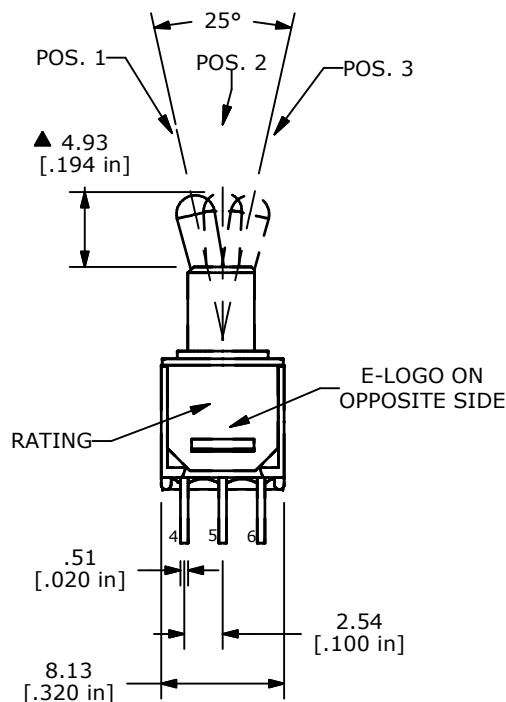
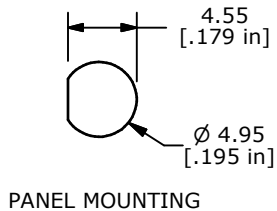


SWITCH FUNCTION		
POS. 1	POS. 2	POS. 3
ON	NONE	(ON)
2-3, 5-6	N/A	2-1, 5-4

(ON) = MOMENTARY



CIRCUIT: DPDT



NOTE:

1. ALL DIMENSIONS IN MM [INCH]
2. GENERAL TOLERANCE: X.X=±0.4  
X.XX=±0.25
3. TERMINAL NUMBERS FOR REF ONLY
- ▲ 4. PLATING MATERIAL: GOLD
5. RATING: 0.4VA AT 20V AC OR DC
6. ELECTRIC LIFE: 30,000 CYCLES
7. INSULATION RESISTANCE: 1,000 MEGA-OHM MIN
8. DIELECTRIC STRENGTH: 1,000 V RMS @SEA LEVEL
9. OPERATING TEMP.: -30°C to 85°C
10. ▲ DENOTES CRITICAL PARAMETER.
11. 2002/95/EC (ROHS) COMPLIANT
12. CONTACT RESISTANCE: 20 MILLI-OHM INITIAL



A	21490	RELEASED FOR PRODUCTION	6/24/14	EBP
REV	PCR NO	DESCRIPTION	DATE	BY

TITLE 200MDP2T2B2M6RE				
SCALE	DATE 6/24/2014	DR EBP	DWG T222011	REV A

THE INFORMATION CONTAINED IN THIS DOCUMENT IS PROPRIETARY TO E-SWITCH AND IS NOT TO BE COPIED OR TRANSFERRED